



## Levelwind™ Retractable Air & Water Hose Reels Parts & Technical Service Guide

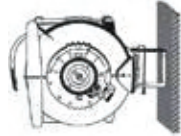
Model L8305	Model L8306FZ	Model L8335-EU	Model L8345
Model L8305FZ	Model L8310	Model L8335FZ	Model L8346
Model L8306	Model L8310-EU	Model L8340FZ	Model L8349
Model L8306-EU	Model L8335	Model L8344	Model L8350

### Mounting Options:

CAUTION: Maximum installation height is 15 ft. (4.5 meters) above ground. Maximum weight of hose end tools is 4 lb. (2 kg) . Maximum working pressure is 350 PSI (24 bar). (140 PSI (9.65 bar) for Models L8346, L8349 & L8350). 300 PSI (20.68 bar) for Model L8335. Do not stand or step on top of reel!

#### Mounting to wall

Positioned up to 5 ft. (1.5 m) high. Use standard replacement part L8300-W Wall / Overhead bracket.



#### High Wall Mounting

Mount reel between 10 ft. and 15 ft. (3-4.5 m) high on wall. Use optional Bench / High Wall mounting bracket model L8300-B.



#### Mounting overhead

Up to 15 ft. (4.5 m) from floor. Use standard replacement part L8300-W Wall / Overhead bracket.



#### Mounting to a bench

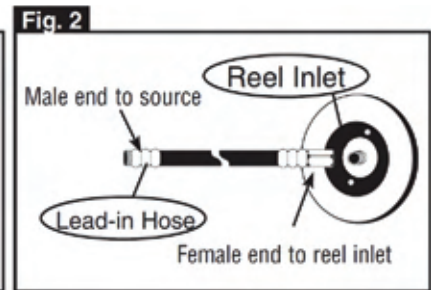
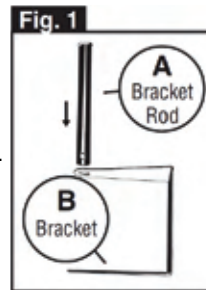
Use optional Bench / High Wall mounting bracket model L8300-B.



### Installation:

LEVELWIND retractable hose reels are designed for minimum assembly.

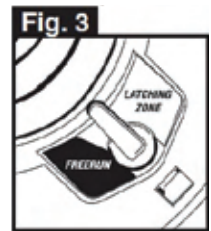
- 1) Place bracket on a flat mounting surface. With a pencil trace bracket back holes onto surface. Use a leveling device to ensure that the bracket will be level once fastened. Fasten brackets to surface with screws (screws are not included).
- 2) Remove bracket rod (A) from bracket (B) (SEE FIG. 1).
- 3) Place reel into bracket making sure the reel hole is aligned with bracket end holes.
- 4) Insert bracket rod through the aligned holes of reel and bracket. Insert hitch-pin clip through end of bracket rod.
- 5) Connect female end of lead-in hose to inlet connection on reel. Connect male end to air or water source (SEE FIG. 2).



### Operating Instructions:

LEVELWIND retractable hose reels can operate in FREERUN or can be latched every 3 ft. (91 cm) by switching to the LATCHING ZONE. Simply turn the mode switch to desired position (SEE FIG. 3).

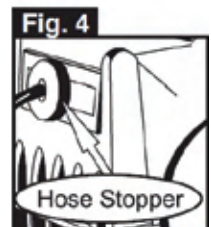
THE "LATCHING ZONE": LEVELWIND reels have a single latching zone. The reel can be latched for every drum revolution approx. 3 ft. (91 cm) of hose. There are audible clicking sounds as the spring loaded latch passes over the latching zone. The latching zone flips the latch so that the latch goes into or by-passes the latching position. Pulling hose straight out off the reel "flips the latch" so it can go into the latching position. Retracting the hose into the reel keeps the latch "flipped" so that the latch by-passes the latching position.



**LATCHING** - Pull out the desired length of hose. As you are pulling out hose from the reel, listen for a "click". STOP! Don't pull any further! If you keep pulling out hose (more than 14 in. (36 cm)) after hearing the "click", you will have pulled past the latching zone. Now, allow the hose to go back into the reel (less than 14 in. (36 cm)) and the latch will drop into the latching position. The reel is now latched!

**RETRACTING** - Assuming the latch is engaged in the latching position, pull out hose until you hear a "click" (approx. 14 in. (36 cm)). STOP! Don't pull any further! If you pull out more than 3 ft. (91 cm) of hose after hearing the "click", you will have gone a full drum revolution and back into the latching zone where the reel will once again be latched. Now, allow the hose to retract back into the reel.

The hose reel will continue retracting hose until it is fully retracted. If you decide to re-latch the reel while you are still retracting hose, simply listen for a click. STOP! Slowly pull out hose until you hear a second click. STOP! Don't pull any further. Now, slowly allow the hose back into the reel (less than 14 in. (36 cm)) and the latch will drop into the latching.



**FREERUN MODE:** The hose does not latch in this mode. Hose will automatically retract back into reel. The hose stopper position may be adjusted to desired length for application (SEE FIGURE 4) **CAUTION!** Do not release the end of the hose when rewinding as personal injury or damage could result!

The color CHARTREUSE as applied to the body of the air and water hose is a registered trademark owned by Weems Industries, Inc. Flexzilla is a registered trademark owned by Weems Industries, Inc. Levelwind is a trademark owned by Weems Industries, Inc.

## SEVEN POSITION LOCKING BRACE

LEVELWIND retractable hose reels can swing freely on bracket or can be locked in one of seven positions, allowing for specific mounting requirements.

### Standard bracket

- 1) Remove bracket rod from reel (SEE FIG. 5A).
- 2) Place seven position locking brace over bracket so that bracket rod holes are aligned. Replace bracket rod so that brace, reel & bracket are attached. Insert hitch-pin clip through end of bracket rod (SEE FIG. 5B).
- 3) Rotate bracket so that it is at desired angle & lock into place with fastener (SEE FIG. 5B).

Fig. 5a

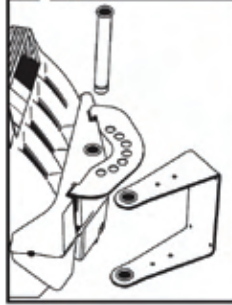


Fig. 5b

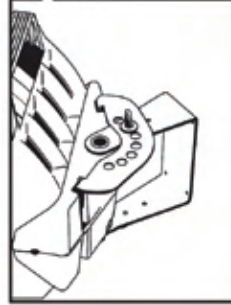
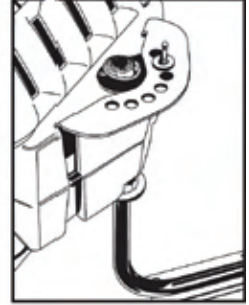


Fig. 6



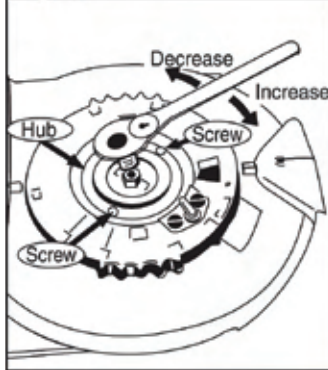
Optional Bench/High Wall Mounting Bracket (see FIG. 6)

### Maintenance Procedures

#### TENSION ADJUSTMENT:

This reel is preloaded with spring tension that is set at the factory. If the reel becomes completely untensioned, please identify your hose reel model number referenced in the Factory Preset Tensioning Table to find out how many turns are needed for proper tensioning. If a heavy air tool is attached to the end of the hose, you may need to add tension to overcome the weight of this tool. DO NOT EXCEED one full turn past the number of turns listed in the Factory Preset Tensioning Chart below.

Fig. 7



#### Factory Preset Tensioning Table

Levelwind™ Model #	# of Tension Turns
L8305 / L8305FZ	3
L8306 / L8306FZ / L8306-EU / L8340FZ	5
L8310 / L8310-EU	4
L8335 / L8335FZ / L8335-EU	4
L8344 / L8345 / L8346 / L8349	4
L8350	11

#### TOOLS REQUIRED:

Phillips Screw Driver, 3/4 in. Socket Wrench

- 1) Lay reel on its side (SEE FIG. 7).
- 2) Place wrench on hub fitting plate nut. HOLD WRENCH FIRMLY.
- 3) Unscrew hub. DO NOT REMOVE SIDEPLATE.
- 4) Turn wrench either ½ turn or no more than one full turn. Turn clockwise to increase tension. Turn counterclockwise to decrease tension.
- 5) Replace hub plate screws and tighten. Return reel to mounting bracket.

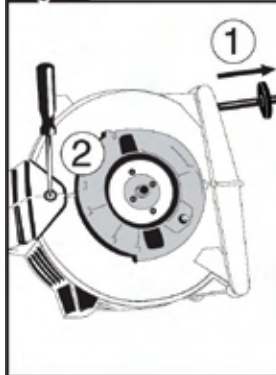
#### HOSE REPLACEMENT:

To ensure proper performance, please consult the Hose Replacement Kit table for the appropriate part number to order. Call 1(800) 645-8258 to order kit.

#### Replacement Hose Kits

- 1) Pull entire length of hose out of reel (SEE FIG. 8).
- 2) While entire length of hose is out of the reel, place long screw driver (3/8 in. in diameter (9 mm)) all the way through the hole located at the back portion of reel. This eliminates any chance for the reel to retract while replacing hose.

Fig. 8



While placing fingers

#### Sideplate removal

- 3) Locate inlet sideplate. Remove four fasteners (SEE FIG. 9). While placing fingers on grooves located on the top and bottom of sideplate, depress locking tabs at the same time with thumbs (SEE FIG. 10). Rotate side plate either way until sideplate unlocks. Remove sideplate.
- 4) Remove wear plate (SEE FIG. 11). Unscrew two fasteners on wear ring and remove wear ring (SEE FIG. 12).

#### Replacement Hose Kits

Model #	Description
RP005005	Replacement Hose Assembly for L8305
RP005005-FZ	Replacement Hose Assembly for L8305FZ
RP005006	Replacement Hose Assembly for L8306
RP005006-EU	Replacement Hose Assembly for L8306-EU
RP005006-FZ	Replacement Hose Assembly for L8306FZ
RP005008	Replacement Hose Assembly for L8310
RP005035	Replacement Hose Assembly for L8335
RP005035-FZ	Replacement Hose Assembly for L8335FZ
RP005023	Replacement Hose Assembly for L8344
RP005069	Replacement Hose Assembly for L8345, L8350
RP005049	Replacement Hose Assembly for L8349, L8346
RP005040-FZ	Replacement Hose Assembly for L8340FZ

Fig. 9

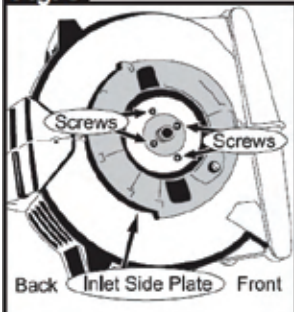


Fig. 10

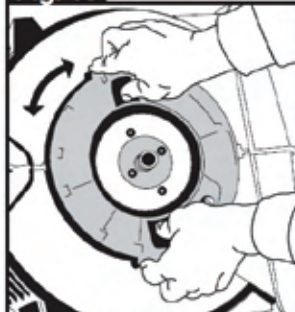


Fig. 11

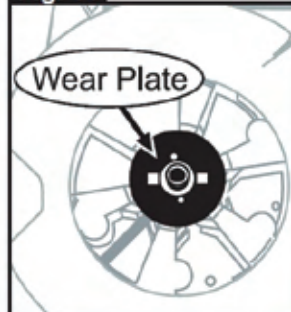
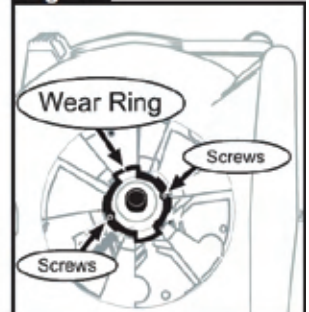


Fig. 12

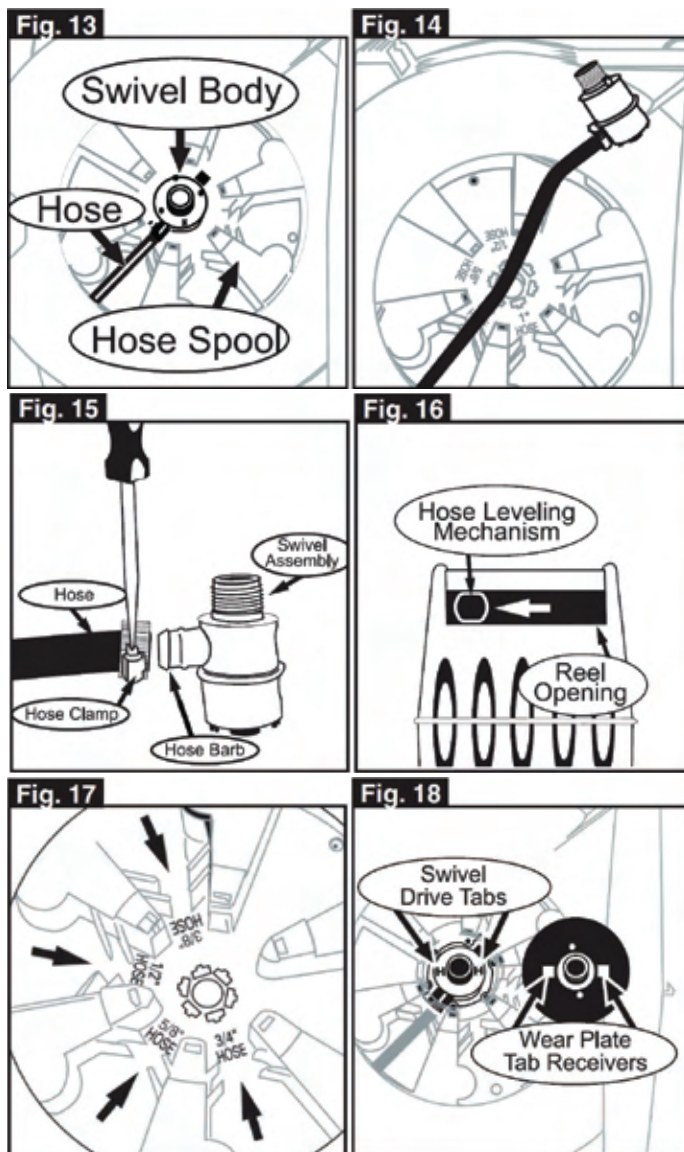


- 5) Pull swivel assembly firmly from hose spool (SEE FIG. 13 and 14).
- 6) Unscrew Hose Clamp and pull hose off hose barb on swivel (SEE FIG. 15).
- 7) Pull remaining length of hose out reel opening located at the reel front.
- 8) Take replacement hose through opening located at the front of reel. Thread hose through hose leveling mechanism (SEE FIG. 16).
- 9) Insert hose through the center of the hose spool. Four openings are referenced with the following hose I.D. dimensions located at the center of hose spool: 3/8 in., 1/2 in., 5/8 in. & 3/4 in.. Locate the hose I.D. and pull through that opening (SEE FIG. 17). Pull enough hose to allow the hose to connect to hose barb on swivel.
- 10) Replace hose onto hose barb, tighten hose clamp onto hose & place swivel into hose spool housing.
- 11) Replace wear ring and fasten with wear ring screws. Replace wear plate so that the swivel drive tabs insert into wear plate tab receivers (SEE FIG. 18).
- 12) Replace sideplate so that the plate snaps flush to side of reel. Turn sideplate until locking tabs connect to sideplate.
- 13) Turn swivel so that fastener holes of swivel and sideplate align. Replace the four sideplate fasteners and tighten.
- 14) Remove screw driver.
- 15) Retract hose back into reel.

### Swivel Kits

Levelwind™ Model #	Replacement Swivel Body Part #	Replacement Hose Stopper Part #
L8305 / L8305FZ / L8306 / L8306-EU L8306FZ / L8310 / L8310-EU	RP005007-38	RP005026
L8335 / L8335-EU / L8335FZ / L8345 L8350 / L8340FZ	RP005007-12	RP005027
L8344 / L8346 / L8349	RP005007-58	RP005028

- 1) Repeat steps 1-6 in the HOSE REPLACEMENT procedure.
- 2) Place hose onto hose barb of new swivel body. Tighten hose clamp onto hose & place swivel into hose spool housing.
- 3) Replace wear ring and fasten with wear ring screws. Replace wear plate so that the swivel drive tabs insert into wear plate tab receivers (SEE FIG. 18).
- 4) Replace sideplate so that the plate snaps flush to side of reel. Turn sideplate until locking tabs connect to sideplate.
- 5) Turn swivel so that fastener holes of swivel and sideplate align. Replace the four sideplate fasteners and tighten.
- 6) Remove screw driver.
- 7) Retract hose back into reel.

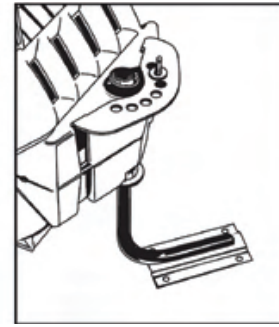
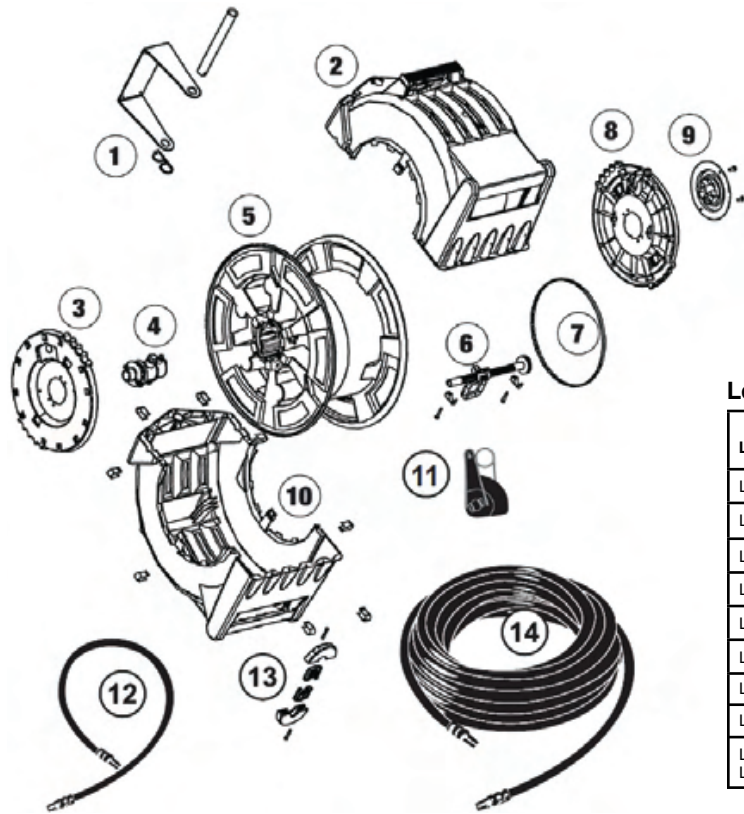


**TECHNICAL ASSISTANCE:**  
 Call 800-645-8258 or email [service@legacymfg.com](mailto:service@legacymfg.com)  
 if you have any questions regarding the installation  
 or operation of this reel.

### Levelwind™ Troubleshooting Guide

Troubleshooting Questions	Suggested Tips
1. Hose will not retract back into the unit.	1a. Ensure the Latch Spring & Pawl isn't engaged 1b. Follow the Tension Adjustment Procedure (See pg 2) 1c. Replace Internal Drum Assembly
2. Hose will not fully retract back into the unit.	2a. Follow the Tension Adjustment Procedure (See pg 2) 2b. Is the replacement hose too heavy? (Rubber?) 2c. If hose bunches, adjust the Layering Mechanism Timing
3. Hose will not lock in 3' intervals.	3a. Are you releasing the hose too quickly? 3b. Is the Latch Spring & Pawl engaged? 3c. Replace the Latch Spring & Pawl Mechanism
4. Internal leak.	4a. Replace the hose if it is damaged. 4b. Replace the Swivel Body (a-rings are not available separately)

**Optional Bench & High Wall Mounting Bracket Model L8300-B**



**Levelwind™ Replacement Lead-In Hoses**

Levelwind™ Model #	Replacement Lead Hose Part #	Replacement Lead Hose Material, Size, & Type
L8305 / L8306 / L8310	L8305LI	PVC 3/8" x 3' Air Hose - Lead In
L8305 / L8306 / L8310	L8305LI-10	PVC 3/8" x 10' Air Hose - Lead In
L8305FZ / L8306FZ	L8305FZLI	Flexzilla® 3/8" x 5' Air Hose - Lead In
L8335	L8335LI	PVC 1/2" x 3' Air/Water Hose - Lead In
L8335	L8335LI-10	PVC 1/2" x 10' Air/Water Hose - Lead In
L8335FZ	L8335FZLI	Flexzilla® 1/2" x 5' Air/Water Hose - Lead In
L8340FZ	L8340FZLI	Flexzilla® 1/2" x 10' Water Hose - Lead In
L8344 / L8346 / L8349	L8349LI	PVC 5/8" x 5' Cold Water Hose - Lead In
L8344 / L8346 / L8349 L8345 / L8350	L8349LI-10	PVC 5/8" x 10' Cold Water Hose - Lead In

**Levelwind™ Replacement Parts**

Ref.#	Replacement Part#	Description	Needs to be replaced If...	Corresponding Levelwind™ Series Model #
1a	L8300-W	Wall / Overhead Mounting Bracket	New mounting hardware is needed	All Levelwind™ Models
1b	L8300-B	Bench / High Wall Mounting Bracket	An alternative mount is needed	All Levelwind™ Models
2	RP005000BK	Top Outer Housing Half w/ Trim Ring & Housing Clips - Black	The upper housing is damaged	All Levelwind™ Models
3	RP005002BK	Swivel Body Side Plate - Black	The side plate is damaged	All Levelwind™ Models
4	RP005007-xx	Swivel Body - Based on hose inner diameter	Internal leaking	See Rpmct Swivel & Hose Stop Chart
5a	RP005015	Internal Drum Assembly / Retraction Spring- 50' hose reels	The hose does not retract the hose at all	50' Levelwind™ Models
5b	RP005016	Internal Drum Assembly / Retraction Spring- 60', 70', 75', 100' hose reels	The hose does not retract the hose at all	60', 75', 100' Levelwind™ Models
6a	RP005010-14	Layering Device Assembly	The layering mechanism doesn't operate	L8335 - All Models / L8344 / L8346 / L8347 / L8349
6b	RP005010-20	Layering Device Assembly	The layering mechanism doesn't operate	L8305 - All Models / L8306 - All Models / L8310 All - Models / L8345 / L8350
6c	RP005010-18	Layering Device Assembly	The layering mechanism doesn't operate	L8340FZ
7a	RP005012-137	Layering Device Drive Belt	The layering mechanism doesn't operate	L8335- All Models / L8344 / L8346 / L8347 / L8349
7b	RP005012-140	Layering Device Drive Belt	The layering mechanism doesn't operate	L8305 -All Models / L8306 -All Models / L8310 - All Models   L8345   L8350
7c	RP005012-138	Layering Device Drive Belt	The layering mechanism doesn't operate	L8340FZ
8a	RP005004BK	Latch Switch Side Plate w/ Latch Spring & Pawl Mechanism- Black	The hose does not lock the desired length	All Levelwind™ Models
8b	RP005004GRNT	Latch Switch Side Plate w/ Latch Spring & Pawl Mechanism- Granite	The hose does not lock the desired length	All Levelwind™ Models
9	RP005003	Tension Cover	The tension cover is cracked or damaged	All Levelwind™ Models
10	RP005001BK	Bottom Outer Housing Half w/ Housing Clips - Black	The bottom housing is damaged	All Levelwind™ Models
11	RP005018	Latch Spring & Pawl Mechanism	The hose does not lock the desired length	All Levelwind™ Models
12	Lead In Hoses	Lead In or Supply Hose	The hose is damaged or leaks	See Replacement Lead Hose Chart
13	Hose Stoppers	Hose Stop	The hose stopper is not stopping the hose	See Replacement Swivel & Hose Stop Chart
14	Hose Assembly	Hose Assembly w/ Hose Stopper	The hose is damaged or leaks	See Replacement Hose Assembly Chart
	RP005036	1/2" FNPT x 3/4"-11 1/2 Male GHT Brass Adaptor	A replacement water hose adaptor is needed	L8335, L8344, L8345, L8346

**2 YEAR LIMITED WARRANTY -**

LEGACY MANUFACTURING COMPANY ("LEGACY") warrants this product to the original purchaser will be free from defects in material and workmanship for 2 years from date of purchase, under normal use. This LIMITED WARRANTY does not cover products that are improperly used, abused, altered or repaired. To obtain a replacement, this product must be shipped to LEGACY Service Center, transportation charges prepaid, with proof of date of purchase and the original retail label must accompany the product. Include your name and address. Should you have any questions, email service@legacymfg.com.



## Levelwind™ Carretes retráctiles para mangueras de aire y de agua Guía de los componentes y servicio técnico

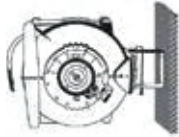
Modelo L8305	Modelo L8306FZ	Modelo L8335-EU	Modelo L8345
Modelo L8305FZ	Modelo L8310	Modelo L8335FZ	Modelo L8346
Modelo L8306	Modelo L8310-EU	Modelo L8340FZ	Modelo L8349
Modelo L8306-EU	Modelo L8335	Modelo L8344	Modelo L8350

### Opciones para su instalación:

**CUIDADO:** La altura máxima para su instalación es de 4.5 metros (15 pies) por encima del piso. El peso máximo de los herrajes en los extremos de la manguera deberá ser de 2 kg (4 lbs). La presión máxima de trabajo es de 350 PSI (24 bar) (140 (9.6 bar) PSI para los Modelos L8346, L8349 y L8350). (300 (20.68 bar) PSI para los Modelos L8335. ¡No se pare ni apoye los pies sobre la parte superior del carrete!

#### Instalación sobre el muro

Colocado hasta una altura de 5 pies (1.8 m). Use el repuesto del soporte del portacarrete estándar modelo L8300-W para muros o techos.



#### Instalación elevado en un muro

Instalación del portacarrete a una altura aproximada de 3 a 4.5 m (10 a 15 pies) sobre el muro. Use el soporte opcional del portacarrete para el banco y/o muros modelo L8300-B.



#### Instalación en el techo

Hasta una altura de 15 pies (4.5 m) del piso. Use el repuesto del portacarrete estándar modelo L8300-W para muros o techos.



#### Instalación en un banco de trabajo

Use el soporte opcional del portacarrete para el banco y/o muros modelo L8300-B



### Instalación:

Los carretes retráctiles LEVELWIND para mangueras se diseñaron para ser ensamblados con un mínimo de esfuerzo.

- 1) Coloque el portacarrete sobre una superficie plana. Con el uso de un lápiz marque las perforaciones del portacarrete sobre la superficie seleccionada. Use un dispositivo nivelador para cerciorarse que el portacarrete esté nivelado una vez instalado. Con el uso de tornillos (no se incluyen los tornillos), instale los soportes del portacarrete contra la superficie.
- 2) Extraiga la varilla del portacarrete (A) del soporte (B) (VER ILUSTRACIÓN 1).
- 3) Coloque el carrete en el portacarrete y asegúrese de que la perforación del carrete esté alineada con las perforaciones en los extremos del portacarrete.
- 4) Inserte la varilla del portacarrete a través de las perforaciones del carrete y portacarrete previamente alineadas. Inserte el sujetador y pasador a través del extremo de la varilla de portacarrete.
- 5) Conecte el extremo hembra de la manguera en la conexión de entrada en el carrete. Conecte el extremo macho a la fuente de aire comprimido o agua (VER ILUSTRACIÓN 2).

Ilustración 1

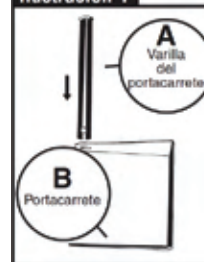
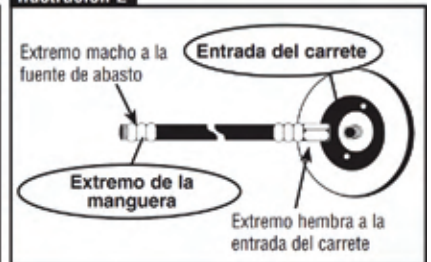


Ilustración 2



### Instrucciones operativas:

Los carretes retráctiles LEVELWIND podrán operarse en la posición FREERUN (giro libre) o ser bloqueada cada 91 cm (3 pies) bastando mover el selector a la posición LATCHING ZONE (giro bloqueado). ¡Simplemente coloque el selector del módulo en la posición deseada (VER ILUSTRACIÓN 3).

**El giro bloqueado "LATCHING ZONE":** Los carretes LEVELWIND ofrecen una sola posición de bloqueo. El carrete podrá bloquearse cada revolución completa del tambor (aprox. 91 cm (3 pies) de manguera). Usted podrá escuchar los sonidos de los chasquidos, cada vez que el pestillo de bloqueo con resorte pasa por el fiador. La zona de giro bloqueado voltea hacia el otro lado el fiador, de manera que el fiador se coloque o evite bloquearse en la posición de bloqueo. Al tirar de la manguera directamente del carrete "coloca el fiador por su lado contrario" de manera que se bloquee. Al retraer la manguera en el carrete se mantiene el fiador "en su posición inversa", de manera que el pestillo no se bloquee.

**LATCHING (posición de bloqueo)** – Tire de la manguera a la longitud deseada. Mientras tira de la manguera en el carrete, escuche un "chasquido". ¡DETÉNGASE! ¡No tire más de la manguera! Si continúa tirando de la manguera (más de 36 cm (14 pulg.)), después escuchar un fuerte "chasquido", significará que ¡ha tirado de la manguera más allá de su posición de bloqueo! Ahora, permita que la manguera retroceda hacia el carrete (menos de 14 pulg. (36 cm)) y el fiador se bloqueará en su posición. ¡El carrete está ahora bloqueado con el fiador!

**RETRAER** – Suponiendo que el pestillo del carrete de la manguera está enganchado en el fiador, tire de la manguera hasta que escuche un ligero chasquido del "cambio de posición" (aproximadamente 36 cm (14 pulg.)). ¡DETÉNGASE! ¡No tire más de la manguera! Si tira de la manguera más allá de 90 cm (3 pies), después de escuchar ligeramente el chasquido del "cambio de posición", significará que el tambor ha girado más allá de una vuelta completa y retrocedido a la posición de bloqueo, y el carrete se habrá bloqueado una vez más. Ahora, permita que la manguera retroceda hacia el carrete. El carrete de la manguera seguirá retrocediendo la manguera, hasta que haya retrocedido completamente. Si decide volver a bloquear el carrete mientras está retrocediendo la manguera, simplemente préstele atención una vez más al sonido ligero del chasquido del "cambio de posición". ¡DETÉNGASE! Tire lentamente de la manguera, hasta que escuche un segundo chasquido. ¡DETÉNGASE! No tire más de la manguera. Ahora, lentamente permita que la manguera retroceda hacia el carrete (menos de 36 cm (14 pulg.)) y el acusador se bloqueará en su posición de bloqueo. El carrete está ahora bloqueado con el fiador.

**POSICIÓN DE GIRO LIBRE (FREERUN):** - Si el carrete está colocado en esta posición, la manguera no se bloqueará en el fiador. La manguera retrocederá automáticamente en el carrete. La posición de bloqueo de la manguera podrá ser ajustada a la longitud deseada, según el uso que desee (VER ILUSTRACIÓN 4). ¡CUIDADO! ¡No suelte el extremo de la manguera mientras la retrocede al carrete, ya que pudiera causarle una lesión o dañarse!

Ilustración 3



Ilustración 4



El color CHARTREUSE aplicado a la manguera de aire y de agua es marca registrada es propiedad de Weems Industries, Inc.

Flexzilla es una marca comercial registrada propiedad de Weems Industries, Inc. Levelwind es una marca comercial registrada propiedad de Weems Industries, Inc.

## ABRAZADERA DE BLOQUEO EN SIETE POSICIONES

Los carretes retráctiles LEVELWIND podrán desplazarse hacia los lados, libremente sobre el portacarrete, o podrán bloquearse en una de sus siete posiciones permitiéndole ajustarse a las necesidades de una instalación específica.

### Portacarrete estándar

- 1) Extraiga la varilla del portacarrete (VER ILUSTRACIÓN 5A).
- 2) Coloque el puntal de bloqueo de siete posiciones sobre el porta-carrete de manera que las perforaciones de la varilla del portacarrete estén alineadas. Reinstale la varilla del portacarrete de manera que el puntal, el carrete y su portacarrete estén enganchados entre sí. Inserte el sujetador y pasador a través del extremo de la varilla de portacarrete (VER ILUSTRACIÓN 5B).
- 3) Haga girar el portacarrete de manera que esté colocado en el ángulo deseado y bloqueado en su posición, con el uso del sujetador (VER ILUSTRACIÓN 5B).

### Procedimiento para su mantenimiento

#### AJUSTE DE LA TENSION:

Este carrete contiene un resorte tensor cuya fuerza de tensión ha sido establecida desde la fábrica. Si el carrete llegara a perder la fuerza de tensión, le sugerimos identificar el número del modelo del carrete al cual se hace referencia en la Tabla de la Fuerza de Tensión establecida en la fábrica, para establecer la cantidad de revoluciones necesaria para volver a establecer la tensión apropiada. Si se ha instalado una herramienta neumática pesada en el extremo de la manguera, quizá será necesario agregarle más fuerza de tensión, para equilibrar el peso de esta herramienta. NO EXCEDA una revolución más allá del número de revoluciones indicado en la Tabla de la Fuerza de Tensión ilustrada a continuación.

#### HERRAMIENTAS NECESARIAS:

Destornillador tipo Phillips, Llave de cubo de 3/4 pulg.

- 1) Coloque el carrete sobre uno de sus costados (VER ILUSTRACIÓN 7).
- 2) Coloque la llave de tuercas en el centro del herraje que sostiene la placa. SOSTenga FIRMEMENTE LA LLAVE.
- 3) Destornille la tuerca del centro. NO EXTRAIGA LA PLACA LATERAL.
- 4) Gire la llave de tuercas 1/2 vuelta, pero no más allá de una vuelta completa. Gírela en el sentido de las manecillas del reloj para incrementar la tensión. Gírela en el sentido opuesto de las manecillas del reloj para disminuir la tensión.
- 5) Reinstale los tornillos de la placa y apriételos. Reinstale el carrete en el portacarrete.

#### REPOSICIÓN DE LA MANGUERA:

Con el fin de garantizarle el rendimiento funcional adecuado, por favor consulte la tabla que indica el número apropiado del juego de herrajes para la manguera que sustituirá a la anterior. Llame al 1(800) 645 - 8258 para solicitar el juego de herrajes.

#### Juegos de herrajes para la manguera

- 1) Tire completamente de la manguera hasta extraerla del carrete (VER ILUSTRACIÓN 8).
- 2) Una vez que toda la longitud de la manguera esté fuera del carrete, deslice un destornillador largo 9 mm (3/8 pulg.) de diámetro a través de la perforación colocada en la parte posterior del carrete. Esto elimina cualquier posibilidad de que el carrete retroceda mientras sustituye la manguera.

#### Extracción de la placa lateral:

- 3) Localice la entrada en la placa lateral. Extraiga los cuatro tornillos (VER ILUSTRACIÓN 9). Mientras coloca sus dedos en las ranuras de la parte superior e inferior de la placa lateral, oprima los pestillos de bloqueo simultáneamente con sus dedos pulgares (VER ILUSTRACIÓN 10). Gire la placa lateral hacia cualquier dirección, hasta liberar la placa lateral. Extraiga la placa lateral.
- 4) Extraiga la placa de frotamiento (VER ILUSTRACIÓN 11). Destornille los dos tornillos instalados en el anillo de frotamiento y extráigalo (VER ILUSTRACIÓN 12).

Ilustración 5a

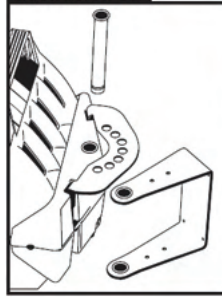


Ilustración 5b

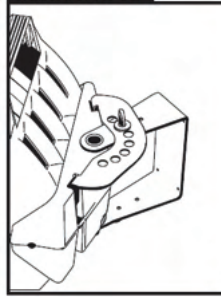
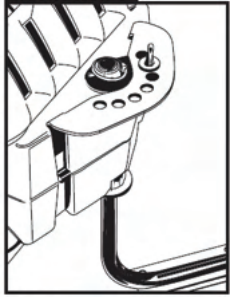


Ilustración 6



Portacarrete opcional para carretes instalados en bancos y/o muros. (VER ILUSTRACIÓN 6)

Ilustración 7

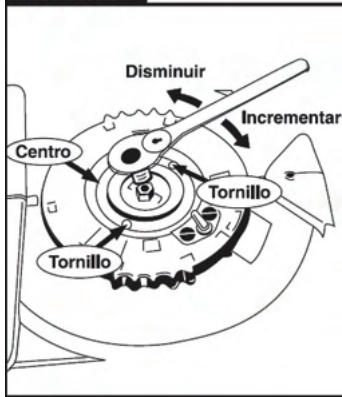


Tabla de la Fuerza de Tensión

Series Levelwind™ Modelo #	Núm. de Giros
L8305 / L8305FZ	3
L8306 / L8306FZ / L8306-EU / L8340FZ	5
L8310 / L8310-EU	4
L8335 / L8335FZ / L8335-EU	4
L8344 / L8345 / L8346 / L8349	4
L8350	11

#### Kits de la manguera de repuesto

Modelo #	Descripción
RP005005	Ensamble de manguera de repuesto L8305
RP005005-FZ	Ensamble de manguera de repuesto L8305FZ
RP005006	Ensamble de manguera de repuesto L8306
RP005006-EU	Ensamble de manguera de repuesto L8306-EU
RP005006-FZ	Ensamble de manguera de repuesto L8306FZ
RP005008	Ensamble de manguera de repuesto L8310
RP005035	Ensamble de manguera de repuesto L8335
RP005035-FZ	Ensamble de manguera de repuesto L8335FZ
RP005023	Ensamble de manguera de repuesto L8344
RP005069	Ensamble de manguera de repuesto L8345, L8350
RP005049	Ensamble de manguera de repuesto L8349, L8346
RP005040-FZ	Ensamble de manguera de repuesto L8340FZ

Ilustración 8

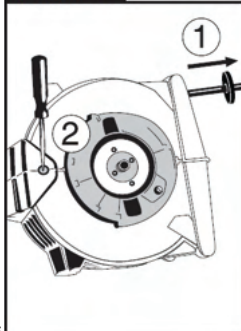


Ilustración 9

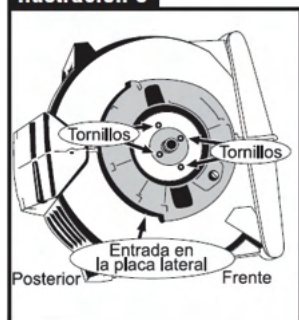


Ilustración 10

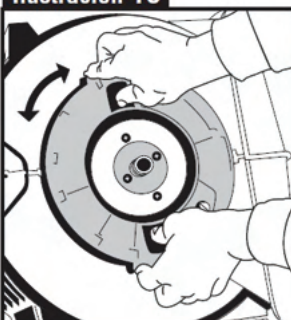


Ilustración 11



Ilustración 12

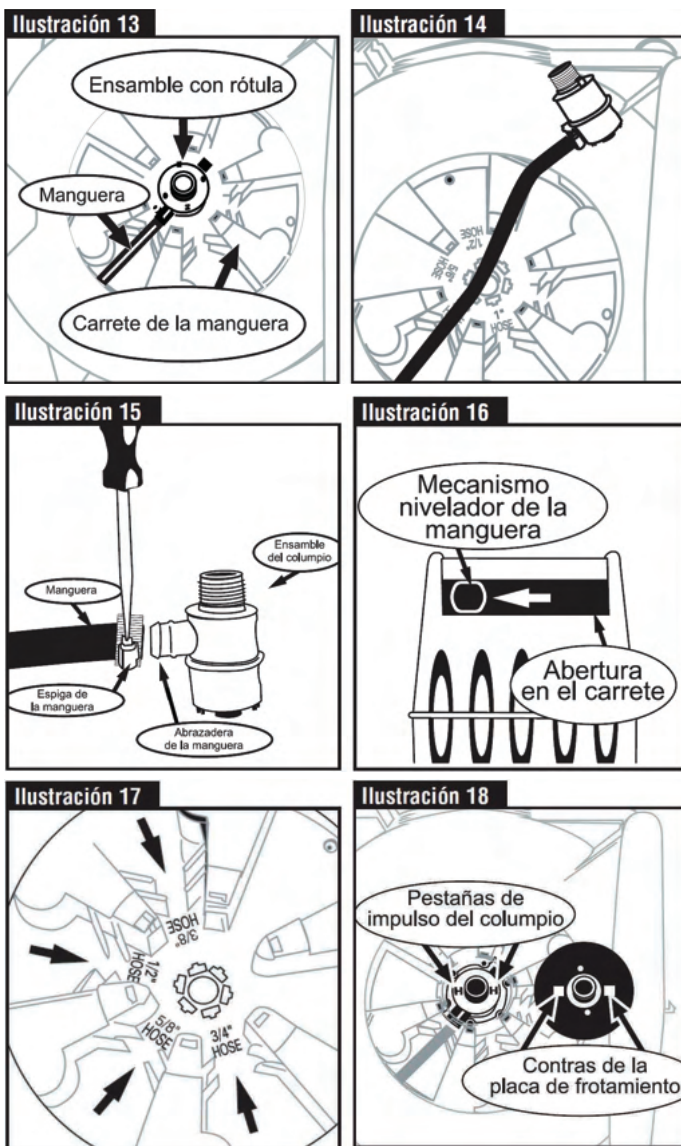


- 5) Tire firmemente del ensamble del cumpio y extráigalo del carrete de la manguera (VER ILUSTRACIONES 13 y 14.)
- 6) Destornille la abrazadera de la manguera y extraiga la espiga de la manguera en el cumpio (VER ILUSTRACIÓN 15).
- 7) Tire de la longitud restante de la manguera hacia fuera de la abertura del carrete en la parte del frente.
- 8) Inserte la manguera a través de la abertura ubicada al frente del carrete. Guíe la manguera a través del mecanismo nivelador (VER ILUSTRACIÓN 16).
- 9) Inserte la manguera a través del centro del carrete que sostiene la manguera. Se han indicado cuatro aberturas al centro del carrete como un medio de identificación de la medida del diámetro interior de las mangueras: 3/8 pulg., 1/2 pulg., 5/8 pulg. y 3/4 pulg. Identifique la medida del diámetro interior de la manguera y deslícela a través de la abertura correspondiente (VER ILUSTRACIÓN 17). Tire de la suficiente cantidad de manguera necesaria, para conectar la manguera en la espiga del cumpio.
- 10) Reinstale la manguera en la espiga, apriete la abrazadera de la manguera y coloque el cumpio en la carcasa del carrete.
- 11) Reinstale el anillo de frotamiento y apriételo con los tornillos. Reinstale la placa de frotamiento de manera que las pestañas de impulso del cumpio se inserten en las contras de la placa de frotamiento (VER ILUSTRACIÓN 18).
- 12) Reinstale la placa lateral de manera que se bloquee al nivel del costado del carrete. Gire la placa lateral hasta que las contras de bloqueo se enganchen con la placa.
- 13) Gire el cumpio de manera que las perforaciones del sujetador del cumpio y de la placa lateral se alineen. Reinstale los cuatro sujetadores de la placa lateral y apriételos.
- 14) Extraiga el destornillador.
- 15) Retroceda la manguera hacia el carrete.

### Kits Giratorias

Levelwind™ Modelo #	Reemplazo giratoria Parte del cuerpo #	Cambio de la manguera Tapón Parte #
L8305 / L8305FZ / L8306 / L8306-EU L8306FZ / L8310 / L8310-EU	RP005007-38	RP005026
L8335 / L8335-EU / L8335FZ / L8345 L8350 / L8340FZ	RP005007-12	RP005027
L8344 / L8346 / L8349	RP005007-58	RP005028

- 1) Repita los pasos 1 al 6 como se mencionó en el procedimiento REPOSICIÓN DE LA MANGUERA.
- 2) Coloque la manguera en la espiga del cumpio nuevo. Apriete la abrazadera de la manguera y coloque el cumpio en la carcasa del carrete.
- 3) Reinstale el anillo de frotamiento y apriételo con los tornillos. Reinstale la placa de frotamiento de manera que las pestañas de impulso del cumpio se inserten en las contras de la placa de frotamiento (VER ILUSTRACIÓN 18).
- 4) Reinstale la placa lateral de manera que se bloquee al nivel del costado del carrete. Gire la placa lateral hasta que las contras de bloqueo se enganchen con la placa.
- 5) Gire el cumpio de manera que las perforaciones del sujetador del cumpio y de la placa lateral se alineen. Reinstale los cuatro sujetadores de la placa lateral y apriételos.
- 6) Extraiga el destornillador.
- 7) Retroceda la manguera hacia el carrete.

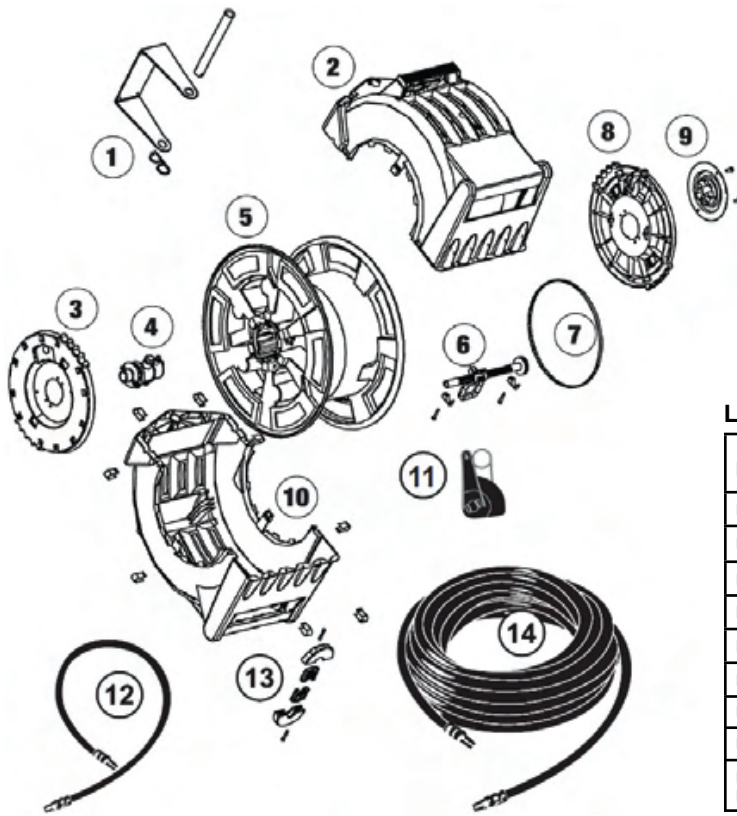
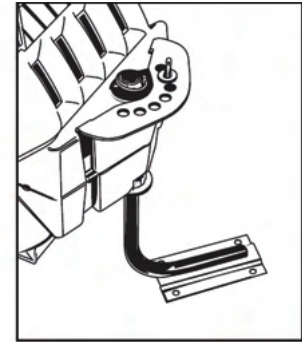


**ASISTENCIA TÉCNICA:**  
 Llame al 800 - 645-8258 o por correo electrónico [service@legacymfg.com](mailto:service@legacymfg.com) si tuviera alguna duda relacionada con la instalación u operación de este carrete.

### Levelwind™ Guía de solución de problemas

Solución de problemas Preguntas	Consejos sugeridos
1. Hose will not retract back into the unit.	1a. Ensure the Latch Spring & Pawl isn't engaged 1b. Follow the Tension Adjustment Procedure (See pg 2) 1c. Replace Internal Drum Assembly
2. Hose will not fully retract back into the unit.	2a. Follow the Tension Adjustment Procedure (See pg 2) 2b. Is the replacement hose too heavy? (Rubber?) 2c. If hose bunches, adjust the Layering Mechanism Timing
3. Hose will not lock in 3' intervals.	3a. Are you releasing the hose too quickly? 3b. Is the Latch Spring & Pawl engaged? 3c. Replace the Latch Spring & Pawl Mechanism
4. Internal leak.	4a. Replace the hose if it is damaged. 4b. Replace the Swivel Body (a-rings are not available separately)

Portacarrete opcional para  
carretes instalados en bancos  
y/o muros modelo L8300-B.



### Levelwind™ Reemplazo de plomo en las mangueras

Levelwind™ Model #	Núm. de comp.	Descripción
L8305 / L8306 / L8310	L8305LI	Manguera de 1 m (3 pies)
L8305 / L8306 / L8310	L8305LI-10	Manguera de 3 m (10 pies)
L8305FZ / L8306FZ	L8305FZLI	Manguera Flexzilla® de 1.5 m (5 pies)
L8335	L8335LI	Manguera de 90 cm (3 pies)
L8335	L8335LI-10	Manguera de 3 m (10 pies)
L8335FZ	L8335FZLI	Manguera Flexzilla® de 1.5 m (5 pies)
L8340FZ	L8340FZLI	Manguera Flexzilla® de 3 m (10 pies)
L8344 / L8346 / L8349	L8349LI	Manguera de 1.5 m (5 pies)
L8344 / L8346 / L8349 L8345 / L8350	L8349LI-10	Manguera de 3 m (10 pies)

### Levelwind™ piezas de repuesto

Núm Ref.	Refacción	Descripción	Serie Levelwind™ correspondiente Modelo #
1a	L8300-W	Portacarrete para instalaciones en muros o techos	Todos los modelos de Levelwind™
1b	L8300-B	Soporte de montaje de banco / pared alta	Todos los modelos de Levelwind™
2	RP005000BK	Bastidor exterior superior c/ moldura negra.	Todos los modelos de Levelwind™
3	RP005002BK	Ensamble de la placa lateral del cumpulpio negra.	Todos los modelos de Levelwind™
4	RP005007-xx	Conjunto de cuerpo giratorio - basado en el diámetro interior	Consulte Diagrama de tope de manguera y pivote de repuesto
5a	RP005015	Ensamble del tambor para mangueras	Modelos 50' Levelwind™
5b	RP005016	Conjunto de tambores para carretes de manguera	Modelos Levelwind™ de 60 pies, 70 pies, 75 pies y 100 pies
6a	RP005010-14	Ensamblaje del dispositivo de hilado	L8335 - Todos los modelos / L8344 / L8346 / L8347 / L8349
6b	RP005010-20	Ensamblaje del dispositivo de hilado	L8305 - Todos los modelos / L8306 - Todos los modelos / L8310 All - Modelos / L8345 / L8350
6c	RP005010-18	Ensamblaje del dispositivo de hilado	L8340FZ
7a	RP005012-137	Banda impulsora	L8335- Todos los modelos / L8344 / L8346 / L8347 / L8349
7b	RP005012-140	Banda impulsora	L8305 - Todos los modelos / L8306 - Todos los modelos / L8310 - Todos los modelos   L8345   L8350
7c	RP005012-138	Banda impulsora	L8340FZ
8a	RP005004BK	Lengüeta lateral del interruptor de cierre con muelle de retención y mecanismo de trinquete - negro	Todos los modelos de Levelwind™
8b	RP005004GRNT	Lengüeta lateral del interruptor de cierre con muelle de retención y mecanismo de trinquete - Granito	Todos los modelos de Levelwind™
9	RP005003	Cubierta del tensionador	Todos los modelos de Levelwind™
10	RP005001BK	Bastidor exterior inferior negro.	Todos los modelos de Levelwind™
11	RP005018	Mecanismo del resorte y del trinquete del pestillo	Todos los modelos de Levelwind™
12	Manguera de acometida	Manguera de acometida	Vea Diagrama de manguera de plomo de reemplazo
13	Tapones de manguera	Retén de la manguera	Consulte Diagrama de tope de manguera y pivote de repuesto
14	Ensamblado de la manguera	Conjunto de manguera con tapón de manguera	Consulte la tabla de ensamblaje de mangueras de repuesto
	RP005036	1/2" FNPT x 3/4" -11 1/2 macho GHT adaptador de latón	L8335, L8344, L8345, L8346

### GARANTÍA LIMITADA A DOS AÑOS\*

LEGACY MANUFACTURING COMPANY ("LEGACY") garantiza durante un periodo de dos años (2) años a partir de la fecha de adquisición, y bajo condiciones normales de uso, que este equipo no tiene ningún defecto en sus materiales y mano de obra. \* La única obligación de LEGACY según esta garantía se limita a sustituir o reparar, sin costo alguno, cualquier equipo que se haya comprado estando defectuoso bajo condiciones normales de uso según las recomendaciones hechas por LEGACY. Con el fin de reparar o sustituir dicho equipo, el equipo deberá ser enviado a un Centro de Servicio y Garantía LEGACY autorizado durante la vigencia de la garantía, el costo de los fletes pagados, acompañado del comprobante de compra con la fecha de adquisición. En caso de una reparación o sustitución, el periodo de garantía no deberá extenderse más allá del periodo original de su vigencia.





## Levelwind™ Dévidoirs de tuyau à air ou à eau rétractable Guide des pièces et du service technique

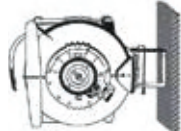
Modèle L8305	Modèle L8306FZ	Modèle L8335-EU	Modèle L8345
Modèle L8305FZ	Modèle L8310	Modèle L8335FZ	Modèle L8346
Modèle L8306	Modèle L8310-EU	Modèle L8340FZ	Modèle L8349
Modèle L8306-EU	Modèle L8335	Modèle L8344	Modèle L8350

### Options de montage

**MISE EN GARDE** – La hauteur d'installation maximum est de 4,5 mètres (15 pi) au-dessus du sol. Le poids maximum des accessoires fixés à l'extrémité du tuyau est de 2 kg (4 lb). La pression de service maximum est de 350 PSI (140 PSI pour les modèles L8346, L8349 et L8350). (300 PSI pour les modèles L8335) Ne pas se tenir ni poser le pied sur le dévidoir.

#### Montage mural

jusqu'à une hauteur de 1,5 m (5 pi). Utiliser le support standard pour montage mural ou suspendu, pièce de rechange L8300-W.



#### Montage mural en hauteur

Monter le dévidoir sur le mur à une hauteur comprise entre 3 et 4,5 m (10 et 15 pi). Utiliser le support de montage mural en hauteur ou sur banc de travail en option, modèle L8300-B.



#### Montage suspendu

jusqu'à une hauteur de 4,5 m (15 pi). Utiliser le support standard pour montage mural ou suspendu, pièce de rechange L8300-W.



#### Montage sur banc de travail

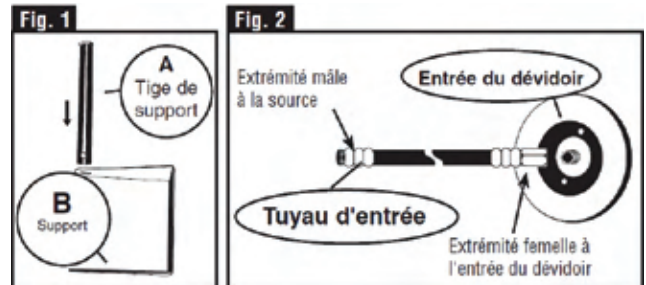
Utiliser le support de montage mural en hauteur ou sur banc de travail en option, modèle L8300-B.



### Installation

Les dévidoirs de tuyau rétractable LEVELWIND sont conçus pour ne nécessiter qu'un minimum d'assemblage.

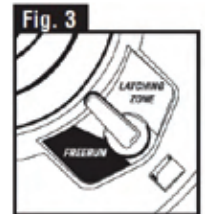
- 1) Placer le support sur une surface de montage plate. À l'aide d'un crayon, tracer sur la surface l'emplacement des trous pour la partie postérieure du support. Utiliser un dispositif de mise à niveau pour assurer que le support sera à niveau une fois posé. Fixer les supports à la surface à l'aide de vis (les vis ne sont pas fournies).
- 2) Retirer la tige de support (A) du support (B) (VOIR FIG. 1).
- 3) Placer le dévidoir dans le support en s'assurant que le trou du dévidoir est aligné sur les trous d'extrémité du support.
- 4) Insérer la tige de support à travers les trous alignés du dévidoir et du support. Insérer un clip de fixation à travers l'extrémité du tige de support.
- 5) Raccorder l'extrémité femelle du tuyau d'arrivée à la connexion d'entrée sur le dévidoir. Raccorder l'extrémité mâle à la source d'air ou d'eau (VOIR FIG. 2).



### Consignes d'utilisation

Les dévidoirs de tuyau rétractable LEVELWIND peuvent fonctionner en mode MOUVEMENT LIBRE (« FREERUN ») ou peuvent être verrouillés tous les 91 cm (3 pi) en utilisant la ZONE DE VERROUILLAGE (« LATCHING ZONE »). Il suffit de mettre le commutateur de mode sur la position désirée (VOIR FIG. 3).

**POSITION « LATCHING ZONE »** : Les dévidoirs LEVELWIND sont dotés d'une zone de verrouillage unique. Le dévidoir peut être verrouillé à chaque rotation du tambour (correspondant à environ 91 cm (3 pi) de tuyau). Le passage du mécanisme de blocage à rappel sur la zone de verrouillage s'accompagne d'un déclic audible. La zone de verrouillage fait basculer le verrou de sorte que le verrou passe en position de verrouillage ou évite cette position. Une traction sur le tuyau directement hors du dévidoir « fait basculer le verrou » de manière à ce qu'il puisse passer en position de verrouillage. La rétraction du tuyau dans le dévidoir garde le verrou « basculé » de manière à ce que le verrou évite



**VERROUILLAGE** – Tirer la longueur désirée de tuyau. Pendant la traction du tuyau, dès que le déclic correspondant à la longueur désirée se fait entendre, ARRÊTER ! Ne pas tirer davantage ! Une traction ultérieure du tuyau de plus de 35 cm (14 po) après le son du déclic le fait sortir de la zone de verrouillage. Il suffit ensuite de laisser le tuyau se réenrouler dans le dévidoir de moins de 35 cm (14 po) pour que le verrou tombe en position de verrouillage. Le dévidoir est maintenant verrouillé.

**RÉTRACTION** – Lorsque le verrou est engagé en position de verrouillage, tirer une longueur de tuyau d'environ 35 cm (14 po) jusqu'à ce qu'un déclic se fasse entendre. ARRÊTER ! Ne pas tirer davantage ! Tirer plus d'un mètre (3 pi) de tuyau après avoir entendu le déclic fait accomplir un tour complet du dévidoir, ce qui le replace dans la zone de verrouillage et le verrouille de nouveau. Laisser maintenant le tuyau rentrer dans le dévidoir. Le dévidoir continue à rétracter le tuyau jusqu'à ce que celui-ci soit complètement rentré. Pour verrouiller à nouveau le dévidoir pendant la rentrée du tuyau, il suffit d'attendre un déclic. ARRÊTER ! Tirer lentement le tuyau vers l'extérieur jusqu'à ce qu'un second déclic se fasse entendre. ARRÊTER ! Ne pas tirer davantage ! Il suffit ensuite de laisser le tuyau se réenrouler dans le dévidoir de moins de 35 cm (14 po) pour que le verrou tombe en position de verrouillage. Le dévidoir est maintenant verrouillé.

**MODE MOUVEMENT LIBRE (« FREERUN »)** : - Dans ce mode, le tuyau ne se verrouille pas. Le tuyau se rétracte automatiquement dans le dévidoir. La position de la butée de tuyau peut être ajustée à la longueur désirée pour l'application (VOIR FIGURE 4). **MISE EN GARDE.** – Ne pas lâcher l'extrémité du tuyau pendant qu'il s'enroule ; cela pourrait provoquer des blessures ou des dommages matériels.

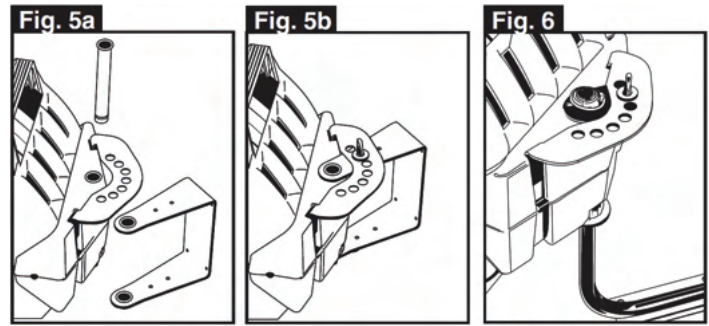


## SUPPORT VERROUILLABLE SEPT POSITIONS

Les dévidoirs de tuyau rétractable LEVELWIND peuvent pivoter librement sur leur support ou peuvent être verrouillés sur l'une de sept positions pour répondre à des besoins de montage particuliers.

### Support standard

- 1) Retirer la tige de support du dévidoir (VOIR FIG. 5A).
- 2) Placer la bride de verrouillage à sept positions sur le support de manière à ce que les trous de la tige de support soient alignés. Replacer la tige de support de manière à fixer la bride, le dévidoir et le support. Insérer un clip de fixation à travers l'extrémité du tige de support (VOIR FIG. 5B).
- 3) Faire pivoter le support de manière à ce qu'il ait l'orientation désirée et verrouiller la position avec l'élément de fixation (VOIR FIG. 5B).



Support en option pour le montage mural en hauteur ou sur banc de travail (VOIR FIGURE 6)

## Entretien

### RÉGLAGE DE LA TENSION :

La tension du ressort de rappel de ce dévidoir est préréglée à l'usine. Si le dévidoir perd toute tension, identifier le numéro du modèle du dévidoir figurant dans le Tableau de mise sous tension à l'usine afin d'identifier le nombre de tours nécessaires à une mise sous tension appropriée. Si un outil pneumatique lourd est fixé à l'extrémité du tuyau, il peut être nécessaire d'augmenter la tension pour compenser le poids de cet outil. **NE PAS DÉPASSER** un tour complet au-delà du nombre de tours précisés dans le Tableau de mise sous tension à l'usine ci-dessous.

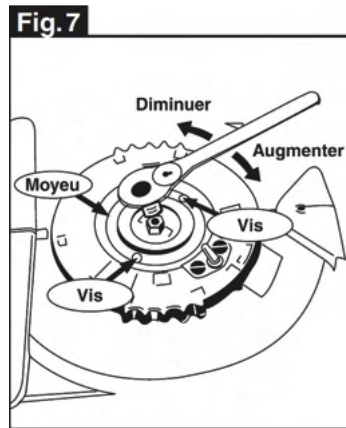


Table de serrage en usine

Série Levelwind™ modèle #	Nombre de tours
L8305 / L8305FZ	3
L8306 / L8306FZ / L8306-EU	5
L8310 / L8310-EU	4
L8335 / L8335FZ / L8335-EU	4
L8344 / L8345 / L8346 / L8349	4
L8350	11

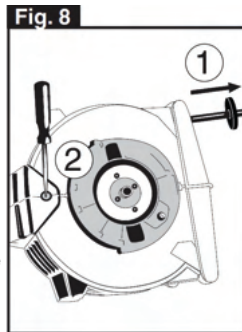
### OUTILS NÉCESSAIRES :

Tournevis à empreinte cruciforme, Clé à douille de 3/4 po (19 mm)

- 1) Placer le dévidoir sur son côté (VOIR FIG. 7).
- 2) Placer la clé sur l'écrou du plateau du moyeu. **TENIR LA CLÉ DE SERRAGE FERMEMENT.**
- 3) Dévisser le moyeu. **NE PAS RETIRER LA PLAQUE LATÉRALE.**
- 4) Tourner la clé de serrage d'un demi-tour, en aucun cas plus d'un tour complet. Tourner en sens horaire pour augmenter la tension. Pour diminuer la tension, tourner la clé dans le sens anti-horaire.
- 5) Remettre les vis du plateau de moyeu en place et les serrer. Remonter le dévidoir sur son support de montage.

## REPLACEMENT DU TUYAU

Pour obtenir des prestations appropriées, prière de consulter le tableau de nécessaires de remplacement de tuyau pour connaître le bon numéro des pièces à commander. Composer le 1(800)-645-8258 pour commander un nécessaire.

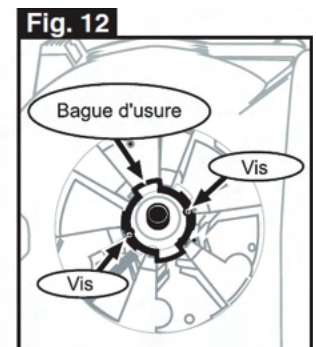
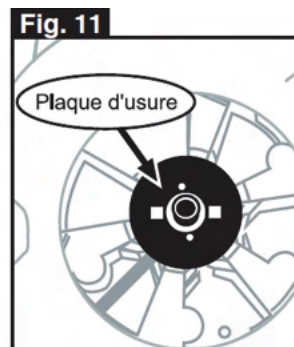
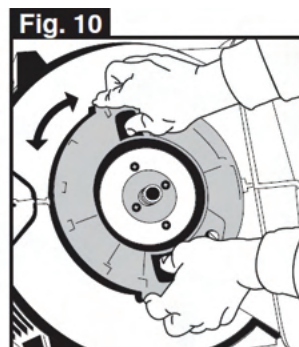
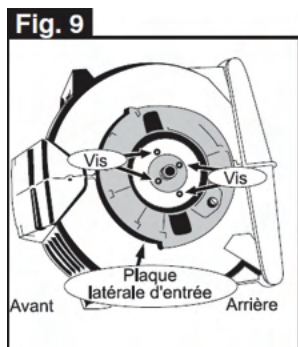


### Nécessaires de tuyau de rechange

- 1) Tirer toute la longueur du tuyau hors du dévidoir (VOIR FIG. 8).
- 2) Pendant que toute la longueur du tuyau est hors du dévidoir, placer un tournevis long (3/8 de po ou 9,5 mm de diamètre) à fond à travers le trou situé à l'arrière du dévidoir. Ceci élimine toute possibilité que le dévidoir se rétracte lors du remplacement du tuyau.

### Dépose de la plaque latérale

- 3) Repérer la plaque latérale d'entrée. Retirer les quatre vis (VOIR FIG. 9). Tout en plaçant les doigts sur les rainures pratiquées sur le dessus et le bas de la plaque latérale, appuyer simultanément avec les pouces sur les pattes de blocage (VOIR FIG. 10). Faire tourner la plaque latérale dans un sens ou dans l'autre jusqu'à ce qu'elle se déverrouille. Déposer la plaque latérale.
- 4) Déposer la plaque d'usure (VOIR FIG. 11). Dévisser les deux vis sur la bague d'usure et déposer la bague d'usure (VOIR FIG. 12).

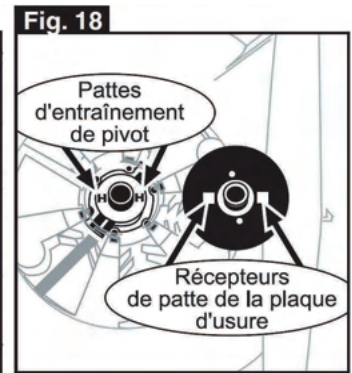
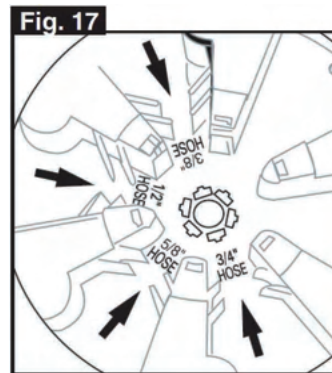
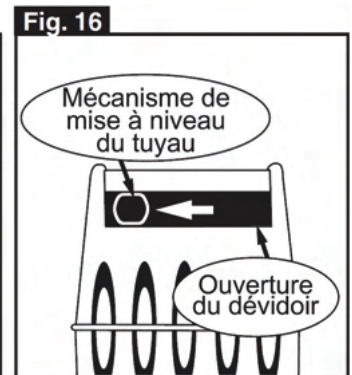
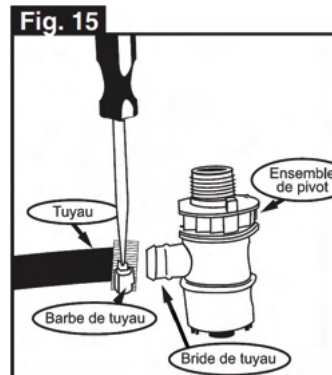
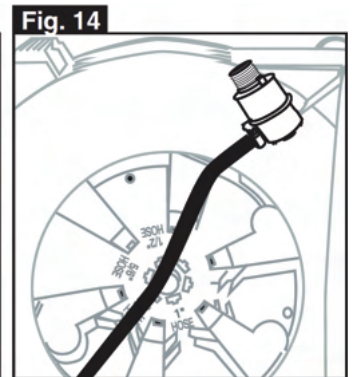
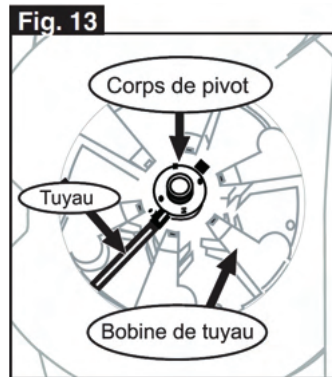


- 5) Tirer l'ensemble de pivot fermement hors de la bobine de tuyau (VOIR FIG 13 et 14).
- 6) Dévisser la bride de tuyau et tirer le tuyau hors de la barbe de tuyau sur le pivot (VOIR FIG. 15).
- 7) Tirer la longueur restante de tuyau hors de l'ouverture avant du dévidoir.
- 8) Faire passer le tuyau de rechange à travers l'ouverture située à l'avant du dévidoir. Faire passer le tuyau à travers le mécanisme de mise à niveau du tuyau (VOIR FIG. 16).
- 9) Insérer le tuyau à travers le centre de la bobine du tuyau. Quatre ouvertures situées au centre de la bobine du tuyau sont identifiées par les diamètres intérieurs de tuyau suivants : 3/8 po, 1/2 po, 5/8 po et 3/4 po. Repérer la dimension intérieure de tuyau et faire passer à travers cette ouverture (VOIR FIG. 17). Tirer suffisamment de tuyau pour permettre le raccordement de celui-ci à la barbe de tuyau sur le pivot.
- 10) Remettre le tuyau en place sur la barbe de pivot, serrer la bride de tuyau sur le tuyau, placer le pivot dans le logement de bobine de tuyau.
- 11) Remettre la bague d'usure en place et la fixer à l'aide de ses vis. Remettre la plaque d'usure en place de manière à ce que les pattes d'entraînement de pivot s'insèrent dans les récepteurs de patte de la plaque d'usure (VOIR FIG. 18).
- 12) Remettre la plaque latérale en place de manière à ce qu'elle s'enclenche à l'affleurement de la paroi latérale du dévidoir. Faire tourner la plaque latérale jusqu'à ce que les pattes de blocage se raccordent à elle.
- 13) Faire tourner le pivot de manière à ce que les trous d'attache du pivot et de la plaque latérale soient alignés. Remettre les quatre vis de la plaque latérale en place et serrer.
- 14) Retirer le tournevis.
- 15) Rétracter le tuyau dans le dévidoir.

### Kits de pivot

Levelwind™ Modèle #	Pivot de remplacement partie corps #	Modifier la partie de bouchon de tuyau #
L8305 / L8305FZ / L8306 / L8306-EU L8306FZ / L8310 / L8310-EU	RP005007-38	RP005026
L8335 / L8335-EU / L8335FZ / L8345 L8350 / L8340FZ	RP005007-12	RP005027
L8344 / L8346 / L8349	RP005007-58	RP005028

- 1) Répéter les étapes 1 à 6 de la procédure de REMPLACEMENT DU TUYAU.
- 2) Placer le tuyau sur la barbe de tuyau du nouveau corps de pivot. Serrer la bride de tuyau sur le tuyau et mettre le pivot dans le logement de bobine de tuyau.
- 3) Remettre la bague d'usure en place et la fixer à l'aide de ses vis. Remettre la plaque d'usure en place de manière à ce que les pattes d'entraînement de pivot s'insèrent dans les récepteurs de patte de la plaque d'usure. (VOIR FIGURE 18)
- 4) Remettre la plaque latérale en place de manière à ce qu'elle s'enclenche à l'affleurement de la paroi latérale du dévidoir. Faire tourner la plaque latérale jusqu'à ce que les pattes de blocage se raccordent à elle.
- 5) Faire tourner le pivot de manière à ce que les trous d'attache du pivot et de la plaque latérale soient alignés. Remettre les quatre vis de la plaque latérale en place et serrer.
- 6) Retirer le tournevis.
- 7) Rétracter le tuyau dans le dévidoir.



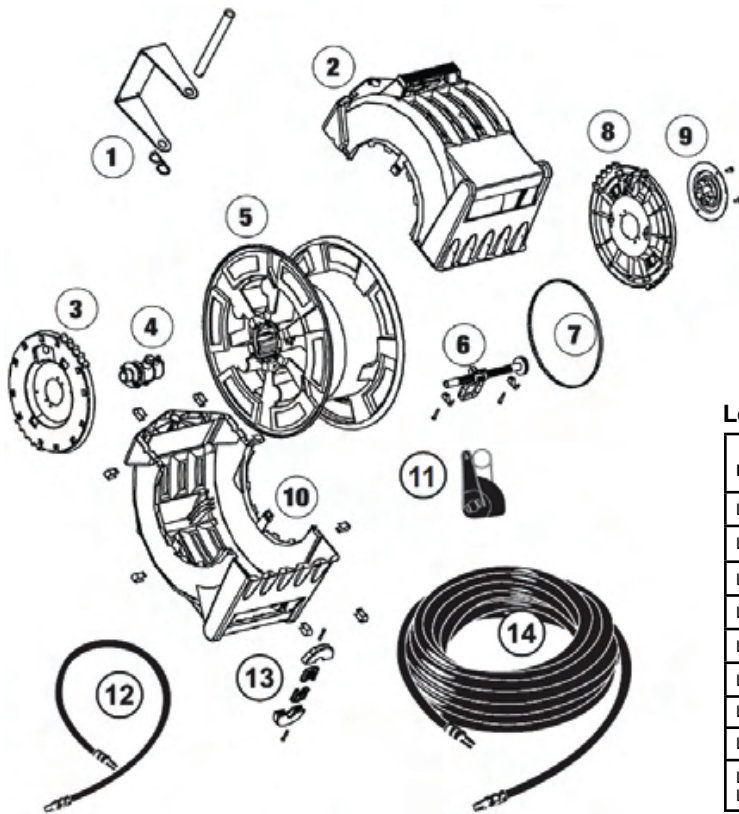
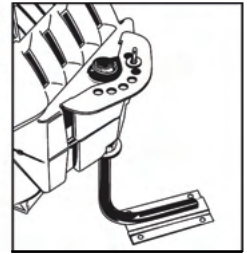
### ASSISTANCE TECHNIQUE :

Composer le 800-645-8258 ou par courriel [service@legacymfg.com](mailto:service@legacymfg.com) pour toute question concernant l'installation ou le fonctionnement de ce dévidoir.

### Levelwind™ Guide de dépannage

Questions de dépannage	Conseils suggérés
1. Hose will not retract back into the unit.	1a. Ensure the Latch Spring & Pawl isn't engaged 1b. Follow the Tension Adjustment Procedure (See pg 2) 1c. Replace Internal Drum Assembly
2. Hose will not fully retract back into the unit.	2a. Follow the Tension Adjustment Procedure (See pg 2) 2b. Is the replacement hose too heavy? (Rubber?) 2c. If hose bunches, adjust the Layering Mechanism Timing
3. Hose will not lock in 3' intervals.	3a. Are you releasing the hose too quickly? 3b. Is the Latch Spring & Pawl engaged? 3c. Replace the Latch Spring & Pawl Mechanism
4. Internal leak.	4a. Replace the hose if it is damaged. 4b. Replace the Swivel Body (a-rings are not available separately)

Support en option pour le montage mural en hauteur ou sur banc de travail modèle L8300-B



### Levelwind™ de remplacement des tuyaux de plomb

Levelwind™ Model#	No de pièce	Description
L8305 / L8306 / L8310	L8305LI	Tuyau d'arrivée de 1 m (3 pi)
L8305 / L8306 / L8310	L8305LI-10	Tuyau d'arrivée de 3 m (10 pi)
L8305FZ / L8306FZ	L8305FZLI	Tuyau d'arrivée Flexzilla® de 1.5 m (5 pi)
L8335	L8335LI	Tuyau d'arrivée de 1 m (3 pi)
L8335	L8335LI-10	Tuyau d'arrivée de 3 m (10 pi)
L8335FZ	L8335FZLI	Tuyau d'arrivée Flexzilla® de 1.5 m (5 pi)
L8340FZ	L8340FZLI	Tuyau d'arrivée Flexzilla® de 3 m (10 pi)
L8344 / L8346 / L8349	L8349LI	Tuyau d'arrivée de 1 m (3 pi)
L8344 / L8346 / L8349 L8345 / L8350	L8349LI-10	Tuyau d'arrivée de 3 m (10 pi)

### Pièces Levelwind™

No. de réf.	Pièce de réparation	Description	Levelwind™ correspondant Modèle #
1a	L8300-W	Support pour montage mural ou suspendu au plafond	Tous les modèles Levelwind™
1b	L8300-B	Support de fixation de banc / haut mur	Tous les modèles Levelwind™
2	RP00500BK	Boîtier supérieur extérieur avec anneau de garniture noir	Tous les modèles Levelwind™
3	RP005002BK	Ensemble de plaque latérale de pivot noir	Tous les modèles Levelwind™
4	RP005007-xx	Ensemble de corps pivotant - basé sur le diamètre intérieur	Voir pièces d'arrêt Schéma de tuyau et pivot
5a	RP005015	Ensemble de tambour pour tuyau	Les modèles 50 « Levelwind™
5b	RP005016	Ensemble de tambour pour tuyau	Modèles Levelwind™, 60 pieds, 70 pieds, 75 pieds et 100 pieds
6a	RP005010-14	Ensemble d'enroulement en couches	L8335 - Tous les modèles / L8344 / L8346 / L8347 / L8349
6b	RP005010-20	Ensemble d'enroulement en couches	L8305 - Tous les modèles / L8306 - Tous les modèles / Tous L8310 - Modèles / L8345 / L8350
6c	RP005010-18	Ensemble d'enroulement en couches	L8340FZ
7a	RP005012-137	Courroie d'entraînement	L8335- Tous les modèles / L8344 / L8346 / L8347 / L8349
7b	RP005012-140	Courroie d'entraînement	Modèles -Tous L8305 / L8306 de modèles / L8310 - Tous les modèles I L8345 I L8350
7c	RP005012-138	Courroie d'entraînement	L8340FZ
8a	RP005004BK	Plaque latérale de verrouillage avec ressort de verrouillage et mécanisme de cliquet - noir	Tous les modèles Levelwind™
8b	RP005004GRNT	Plaque latérale de verrouillage avec ressort de verrouillage et mécanisme de cliquet - granit	Tous les modèles Levelwind™
9	RP005003	Couvercle de tension	Tous les modèles Levelwind™
10	RP005001BK	Boîtier inférieur extérieur noir	Tous les modèles Levelwind™
11	RP005018	Kit de réparation de verrou	Tous les modèles Levelwind™
12	Tuyau de plomb ou d'approvisionnement	Tuyau de plomb ou d'approvisionnement	Voir le remplacement du tuyau de plomb Schéma
13	Bouchons de tuyau	Arrêt de tuyau	Voir pièces d'arrêt Schéma de tuyau et pivot
14	Ensemble de tuyau	Assemblage du tuyau avec bouchon de tuyau	Voir l'ensemble de table flexibles de rechange
	RP005036	1/2 "FNPT x 3/4" -11 1/2 GHT adaptateur en laiton mâle	L8335, L8344, L8345, L8346

### GARANTIE LIMITÉE DE DEUX ANS\*

La société LEGACY MANUFACTURING COMPANY (« LEGACY ») garantit que, dans des conditions normales d'utilisation, ce matériel sera exempt de vice de matière et de fabrication pendant 2 (deux) ans à partir de la date d'achat, dans des conditions d'utilisation normales. En vertu de la présente garantie, la seule obligation de la société LEGACY se limite à remplacer ou à réparer gratuitement le matériel se révélant défectueux à la suite d'une utilisation normale, effectuée dans des conditions normales et conformément aux recommandations de la société LEGACY. Pour toute réparation ou remplacement, le matériel doit être expédié pendant la période de garantie à un centre de service sous garantie agréé par la société LEGACY et doit être accompagné d'une preuve de la date d'achat, les frais de transport ayant été prépayés. En cas de réparation ou de remplacement, la période de garantie n'est pas prolongée au-delà de la période de garantie originelle.